



750 Boom Extension Kit

700-0001

Install M8 Spindle Shaft

Warning : Use of M8 Spindle shaft required when equipped with 725-800mm Rotor Blades. Do not substitute!

M8 Spindle Shaft (Part # 400-0032) ...x1

Use light Oil on spindle shaft for easy installation through "stock" dampers

Nut, Locking M8
.....x2

Flat Washer M8 x 16mm x 3mm
.....x2

Flat Washer M8 x 16 x 3mm (Part # W8x16x3)

Nut, Locking M8 (Part # LNM8F)

Warning M8 nut, tighten approx. 1/8 turn after nut makes contact with spindle shoulder

Install Extended TT Shaft Assembly

Approx. Ball Bearing position 22mm

Approx. Ball Bearing position 260mm

Extended TT Shaft (Part # 300-0030) ...x1

CF Extended Boom (Part # 300-0031) ...x1

Approx. Ball Bearing position 250mm

Approx. Ball Bearing position 22mm

Warning Use CA or Epoxy to secure all (4) Ball Bearings at set positions

M2.5 Nut, Locking (Part # LNM2.5)

Cap Screw M2.5 x 12mm (Part # CS2.5x12)

Ball Bearing 8 x 14 x 4mm (Part # BMR148ZZ) ...x4 positions

Bearing Support (Part # 300-0019) ...x4

TT Shaft Spline (Part # 300-0028) ...x2

Cap Screw M2x12mm
.....x2

M2.5 Nut, Locking

Ball Bearing 8 x 14 x 4mm
.....x4

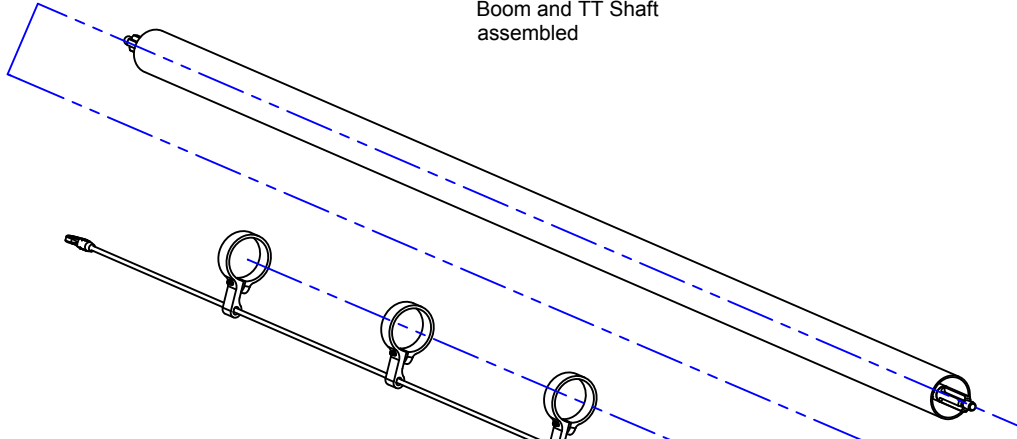
Use a light machine oil on rubber bearing supports and inside tail boom to ease installation of TT shaft assembly. Areas are noted by symbol. Be careful during installation into boom that you do not force ball bearings from rubber supports.



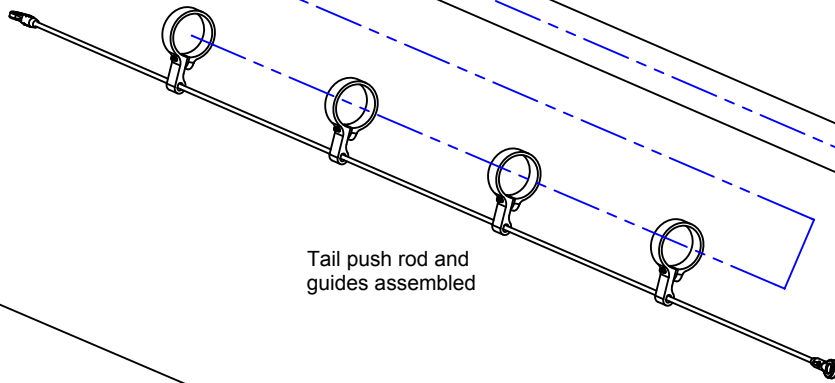
750 Boom Extension Kit

Continued

Boom and TT Shaft assembled

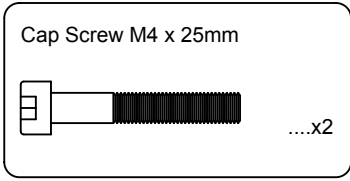


Tail push rod and guides assembled



! Leave all rod guide screws loose for easy installation and setup. Tightening screws in same manner noted in Rush 750 assembly manual.

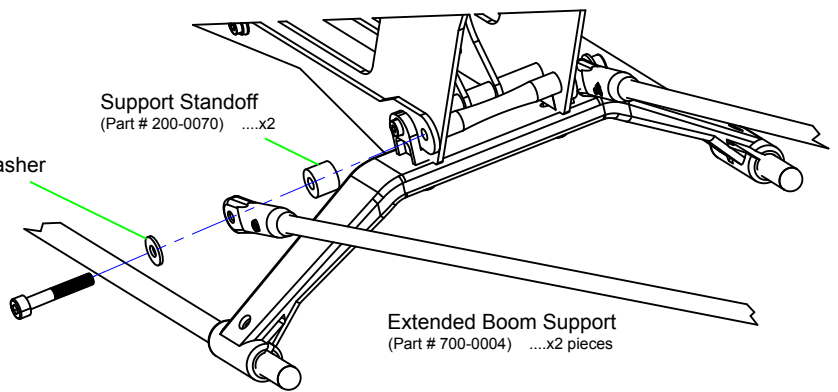
- Install Boom assembly in same manner described in Rush owners manual



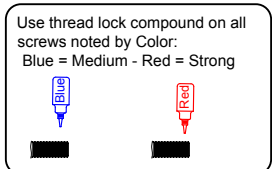
Support Standoff (Part # 200-0070)x2

M4 Flat Washer Not included

Cap Screw M4 x 25mm (Part # CSS4X25)x2



Extended Boom Support (Part # 700-0004)x2 pieces



Special Note:
We Recommend changing to New HF Style oneway hub assembly Part # 500-0040 when converting Heli to use extended boom with blades larger than 720mm